

GravEx Extrusion Weight Controller

Weighbatch

Material Handling & Gravimetric Control

Control Your Extruder !

Control Product Quality !

Save Over 2 % Raw Material Costs !

Quick Job Changes !

Std Models up to 800 kg/hr *

* higher output available by request

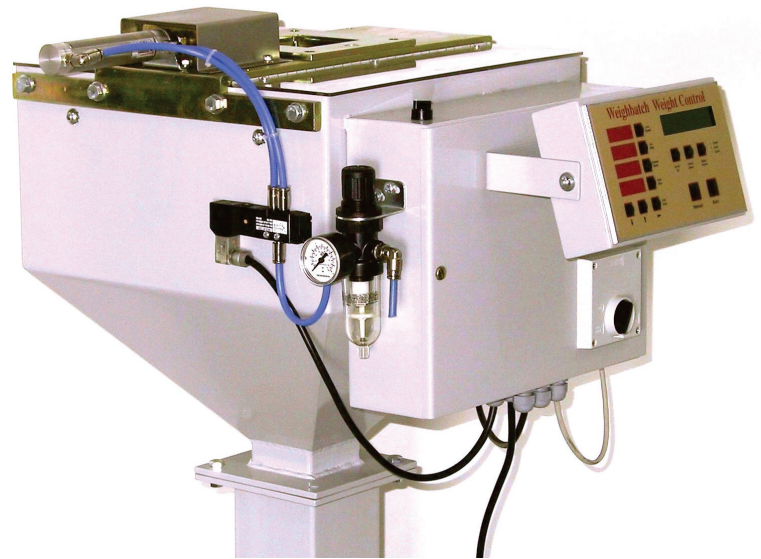
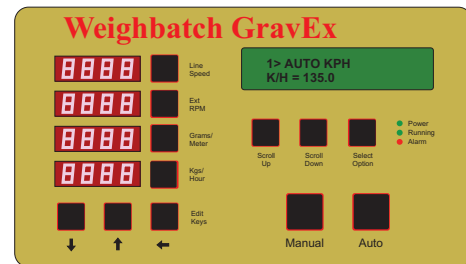


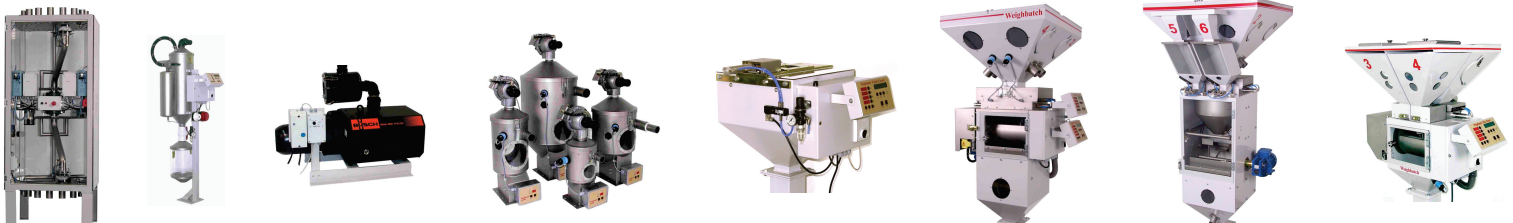
Photo: WC-200



Operator Control Panel

Features:

- The GravEx will control your extruded product weight to +/-0.5 % of target by adjusting either the extruder screw speed or line speed thus maintaining your product quality and eliminate over weight/usage
- Automatically compensates for process variations caused by raw material bulk density inconsistency, extrusion back pressure, ambient conditions and other factors affecting extruder output stability
- Very quick response time which can shorten job change and set up time by more than 30 % resulting in increased production time and reduced waste
- The weigh hopper is completely enclosed by a metallic hopper to isolate it from external interference and provides mechanical protection of the load cells giving you a long and reliable service life
- Integrated adaptor flange for feed throat mounting, top flange designed to mount m/c hopper or blender
- Stand alone mono or co-ex OR fully integrated with Weighbatch AdvanTec central control system



GravEx Series Weight Controller 100 - 800 kg/hr

Weighbatch

Material Handling & Gravimetric Control

Weigh Hopper

The weigh hopper is completely self contained. Simply connect air and power to determine throughput. Connect extruder speed input and output from GravEx to control throughput. Connect line speed to control weight/meter.

Easy access

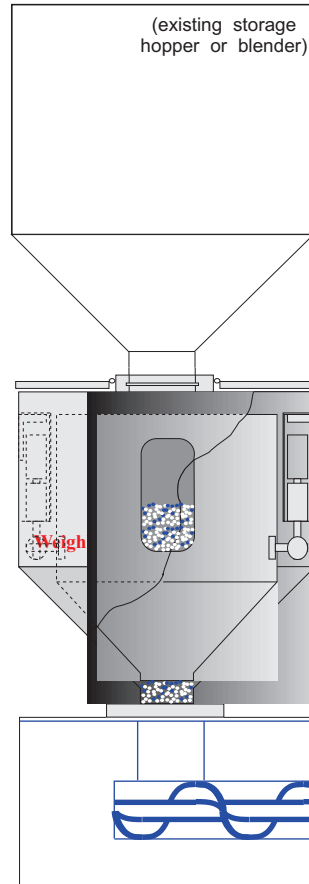
Two transparent flaps allow easy access into the enclosed hopper

Large slide valve

The large refill valve has been designed for quick filling of the weigh hopper it has no hangup points making material changes easy

Outer hopper for protection

The weighing hopper is completely enclosed and protected from accidental interference and damage.



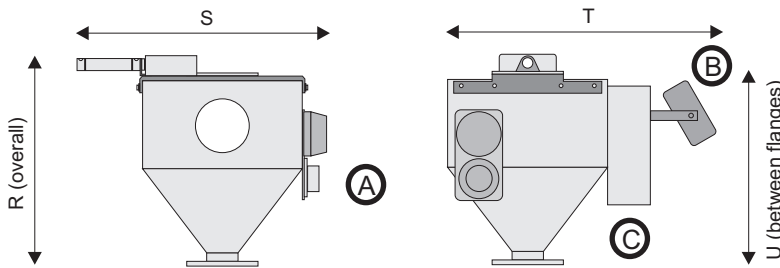
Solid Construction

The construction of the outer hopper and its top plate is strong enough to carry an average sized storage hopper without additional support.

Vibration Protection

Internal rubber mounts enable the weigh hopper to be directly mounted on the extruder

Dimensions:



- A. Alarm light & siren, relocatable
- B. Operator panel, relocatable
- C. Electrical cabinet

MODEL	R	S	T	U
WC-100	410	570	570	380
WC-200	440	590	630	405
WC-400	530	620	690	485
WC-800	700	720	750	670

All dimensions in mm.

Specifications:

- Standard models for 100, 200, 400 & 800 kg /hr
- Throughput or weight per meter control standard
- Dynamic parts in contact with material are stainless steel
- Static parts in contact with material are powder coated steel
- Power supply single phase 230 V 50 Hz std
- Pneumatic air supply 6 bar, regulator supplied

Options:

- Output control modules for 10 turn potentiometer or push button speed control
- Thickness display for film applications, requires operator entry of density & width
- Remote mounted operator controls
- Integration with Weighbatch Doser series
- Agitator for non free flowing material
- High temperature option for dried material